



2S7 Pion Rear Ammunitions Bay (for Trumpeter kit)

Working with 3D printed material:

The 3D material used is brittle and may break when handled incorrectly. Take care in removing parts from the frame. Some parts have been hollowed out to reduce printing costs. Holes are placed out of site and can be filled with modeling putty or plastic sheet.

3D printing of this conversion set was done in a special resin bath. Due to this production method a wax residue can remain on the parts. Cleaning them is not difficult but necessary: Remove parts from the frame and clean them thoroughly using a soft brush and water and dishwashing fluid. It is also possible to use a ultrasonic cleaner with water. Redo cleaning process until water remains clear. A heavier cleaning can be done with white spirit or alcohol.

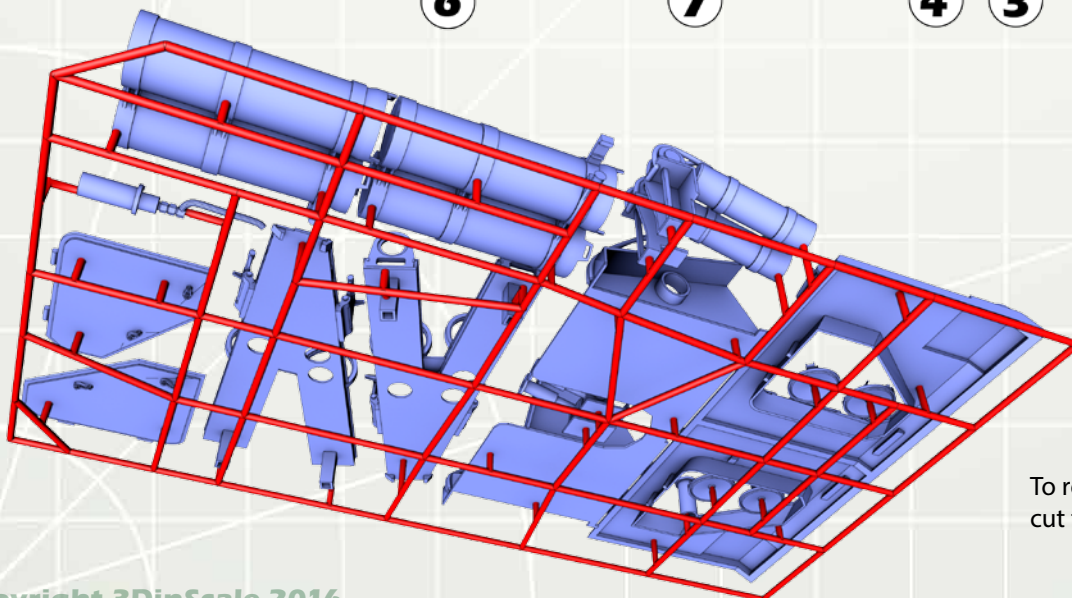
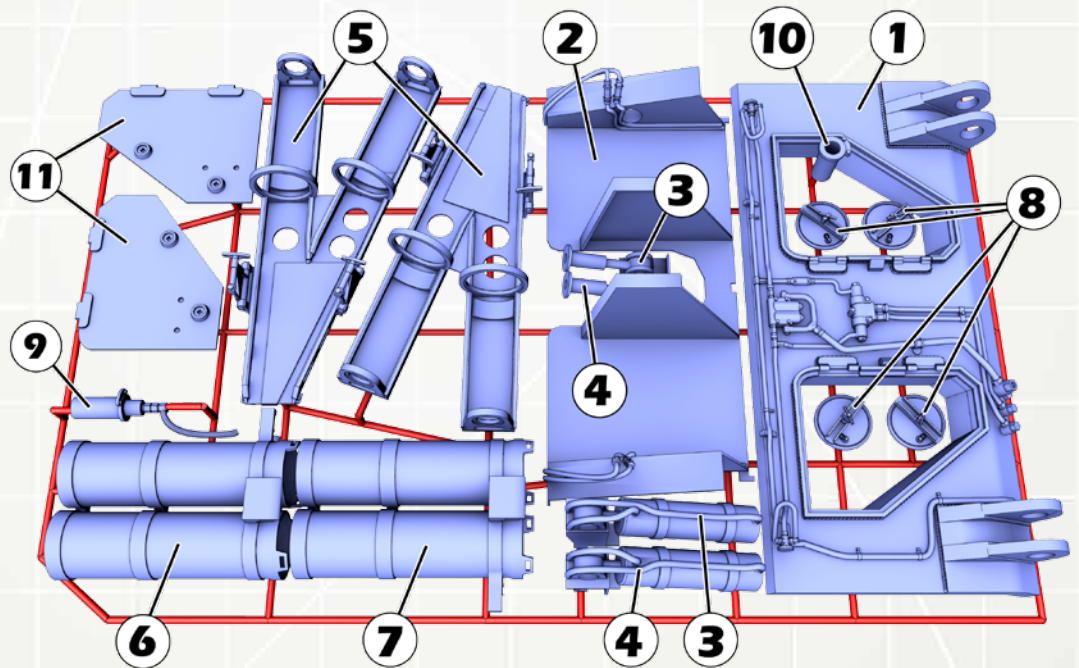
Use enamel based paint or something like thinned down Mr-surfacer (1000) for the first paint layer. This seals any 3D printing residue that might be left from the printing process. When left unpainted the 3D material may start to 'sweat' and cleaning must be redone.

Working with 3D printed material is similar to working with cast resin. Heated parts can be straightened (below 80°) and parts can be glued with superglue.

NOTE: discoloration may occur over time to uncleaned and/or unpainted parts. This will NOT influence the material quality. Please clean thoroughly or redo cleaning.

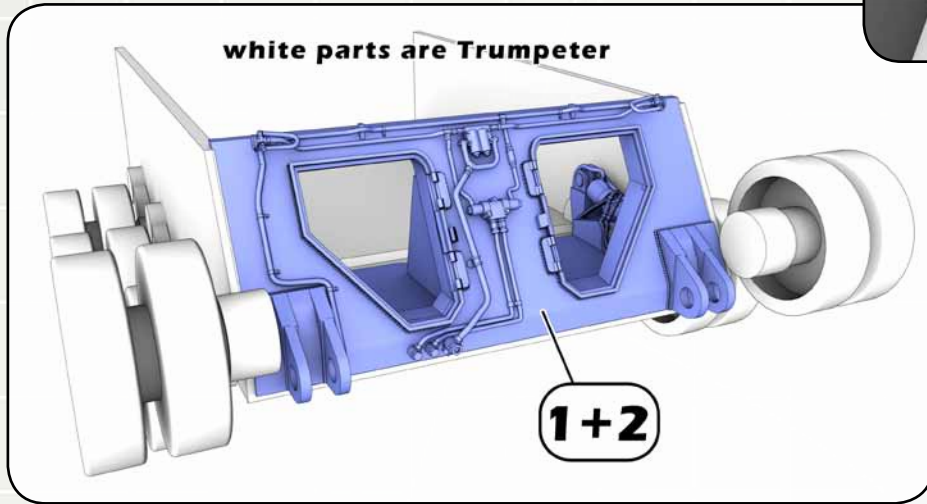
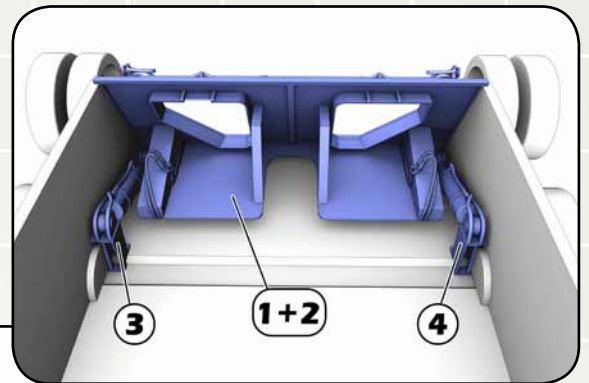
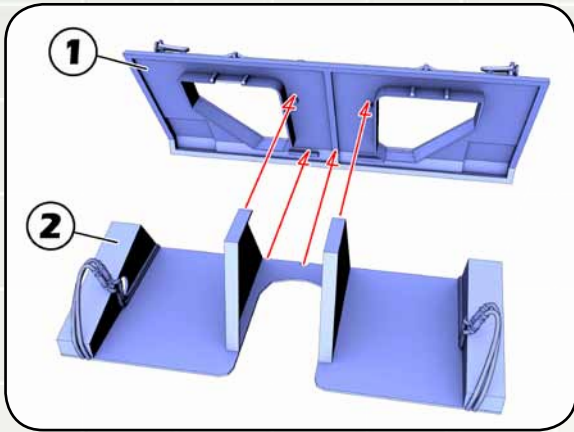
Parts:

- 1 - Rear wall
- 2 - Floor
- 3 - Right rear wheel cylinder
- 4 - Left rear wheel cylinder
- 5 - Shell slide (2)
- 6 - Right charge tube
- 7 - Left charge tube
- 8 - Charge tube lids (4)
- 9 - Left spade locking pin
- 10 - Right spade locking pin
- 11 - Rear door (2)

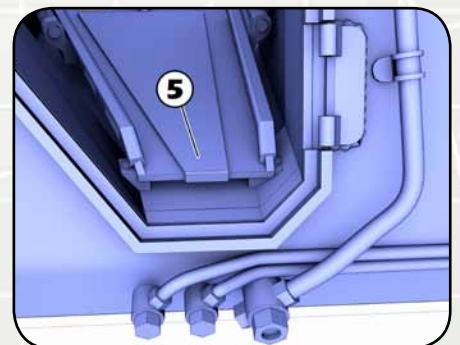
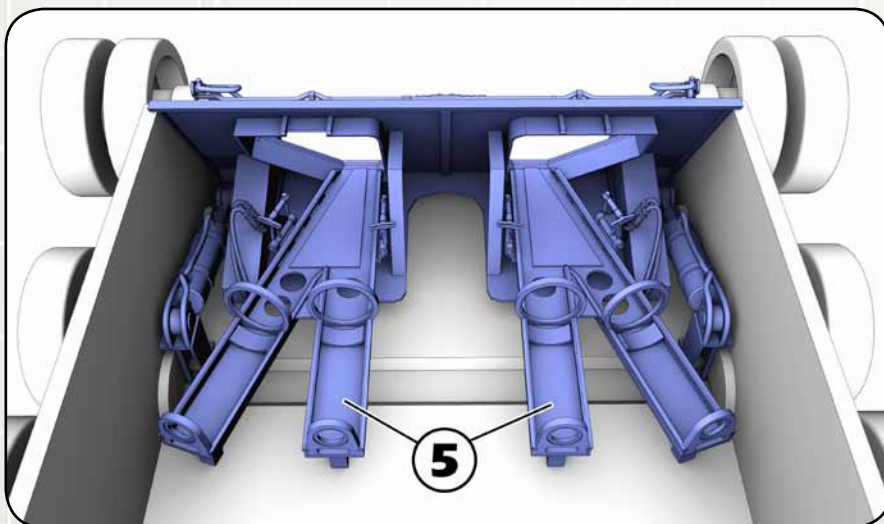
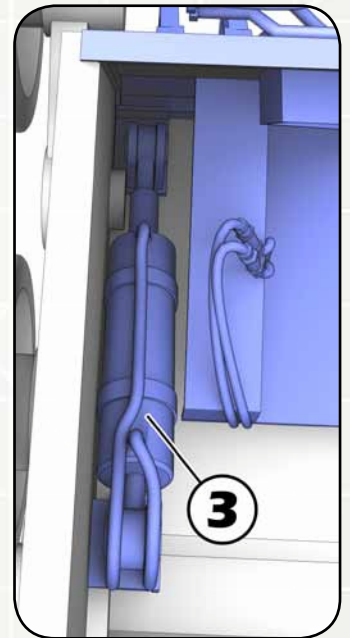
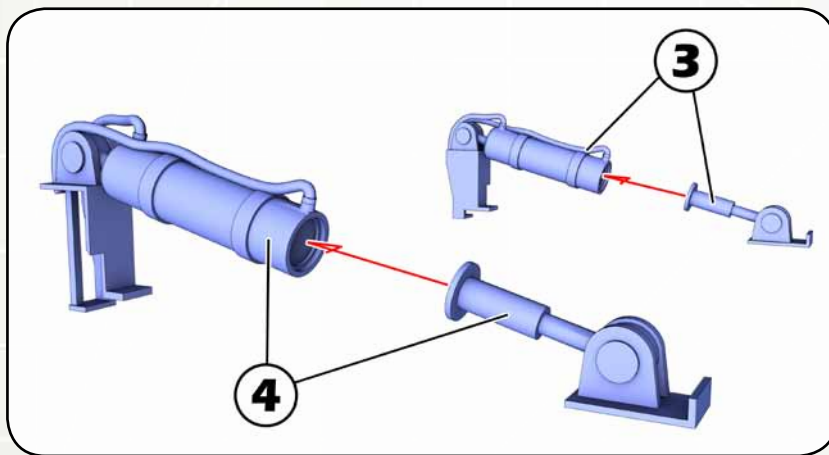


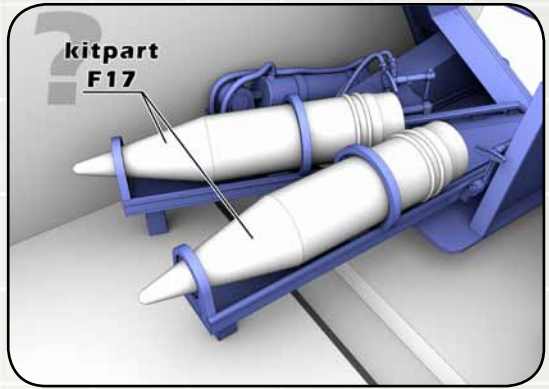
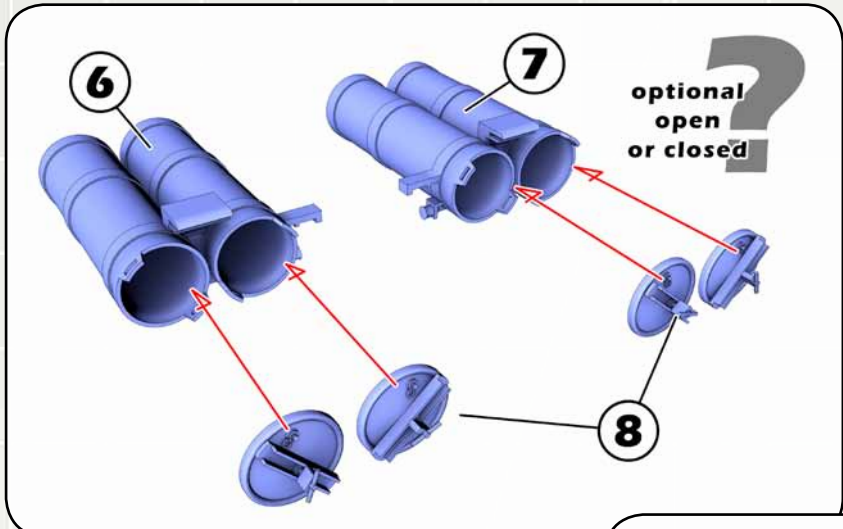
PARTS ARE
FRAGILE,
HANDLE
WITH CARE

To remove parts, please
cut the red parts.

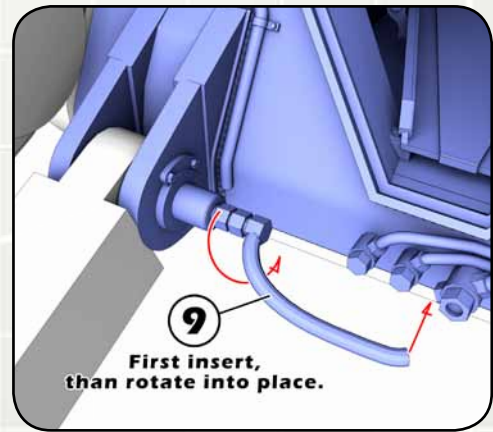
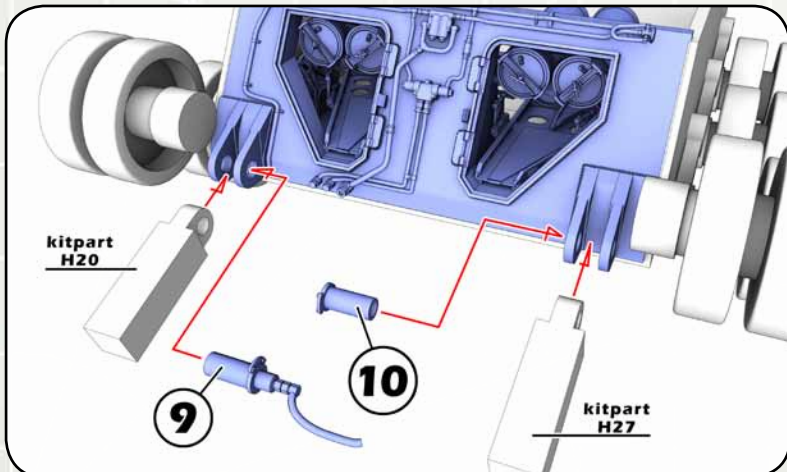
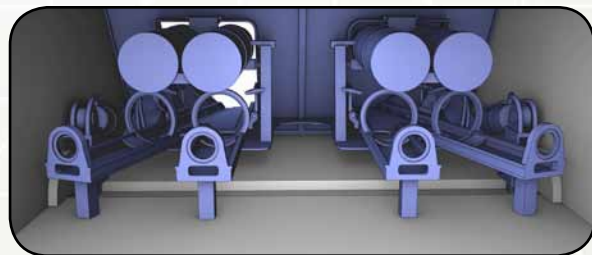
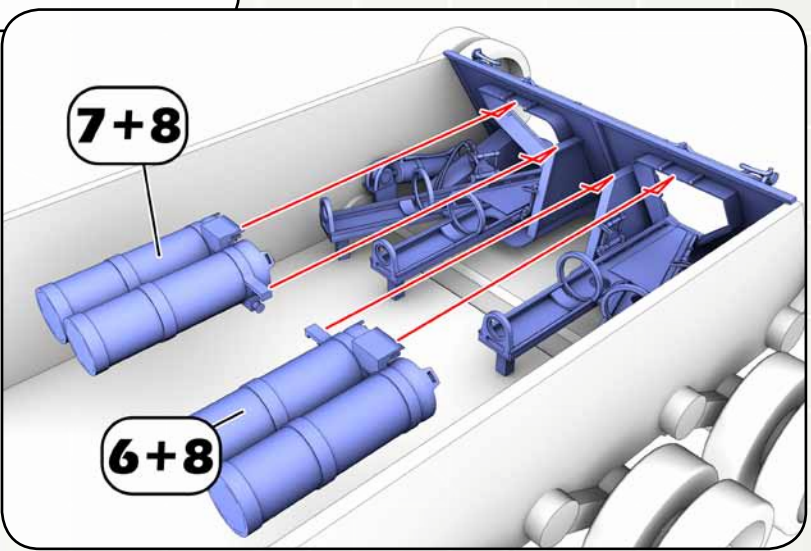


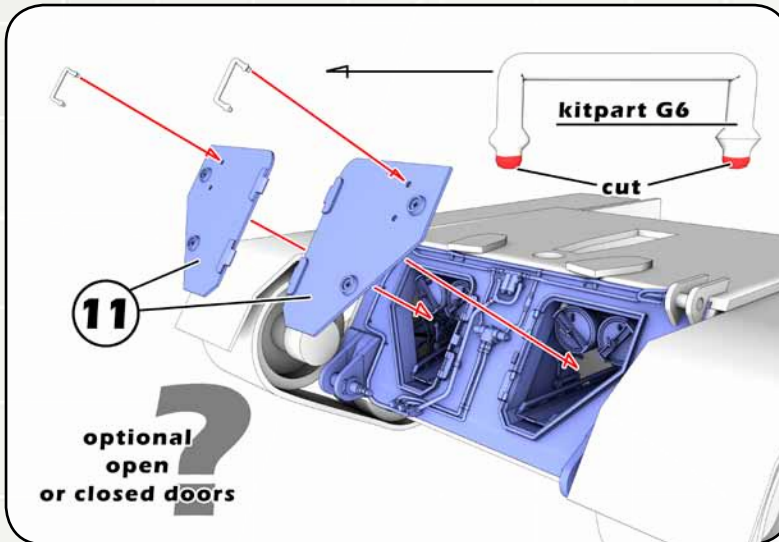
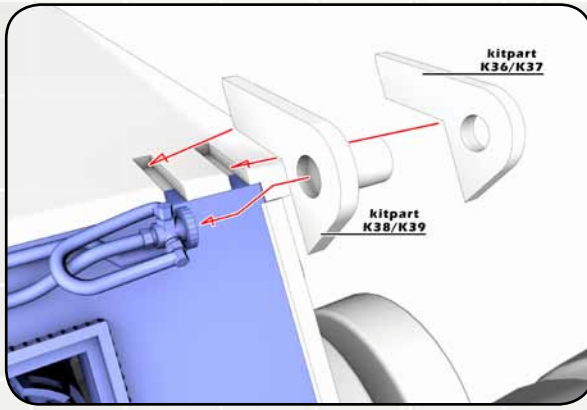
PARTS ARE FRAGILE,
HANDLE WITH CARE





PARTS ARE FRAGILE,
HANDLE WITH CARE

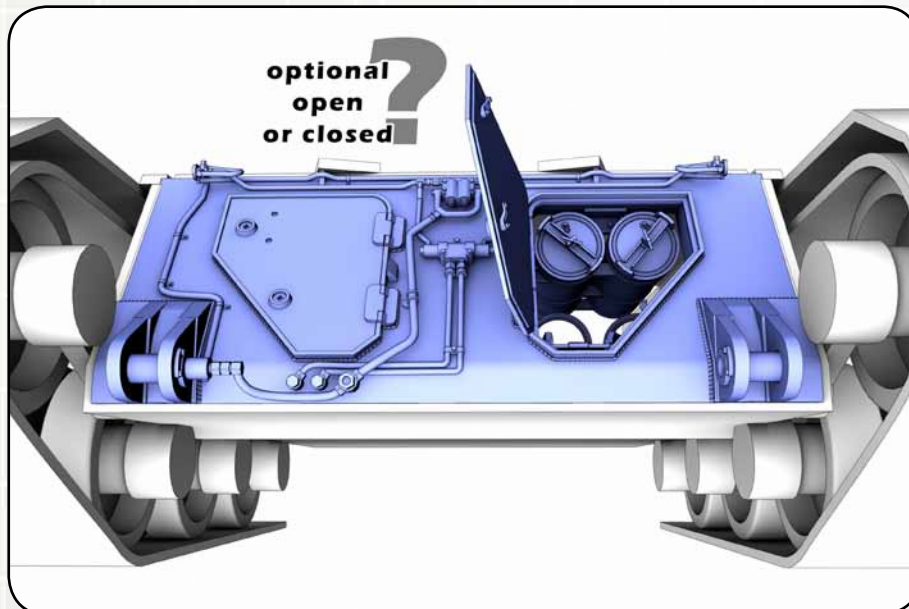




PARTS ARE FRAGILE,
HANDLE WITH CARE

Pictures used courtesy of
Wings & Wheels
Publications.

WWP G043:
PION 2S7 In Detail



Have a look at our other Pion conversion sets at www.3dinscale.com

