



# M5A1 BRITISH HALFTRACK CONVERSION (International Harvester Company)

This set is designed for these Dragon US Halftrack kits:

M2/M2A1:

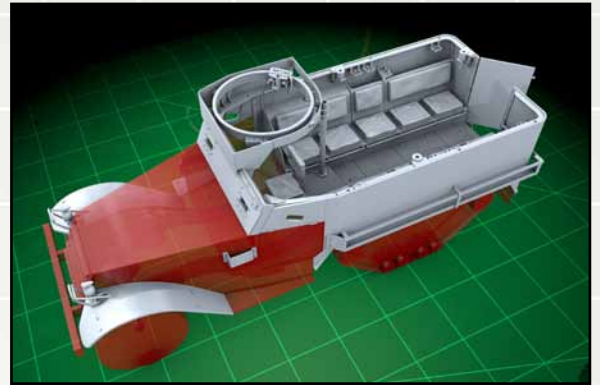


6329

M3/M3A1:



6332



## Working with 3D printed material:

The 3D material used is brittle and may break when handled incorrectly. Take care in removing parts from the frame. Some parts have been hollowed out to reduce printing costs. Holes are placed out of site but can be filled with modeling putty or plastic sheet.

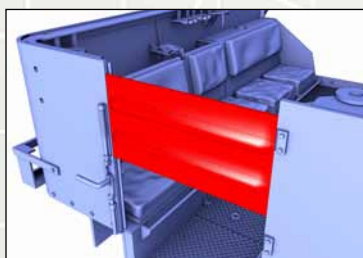
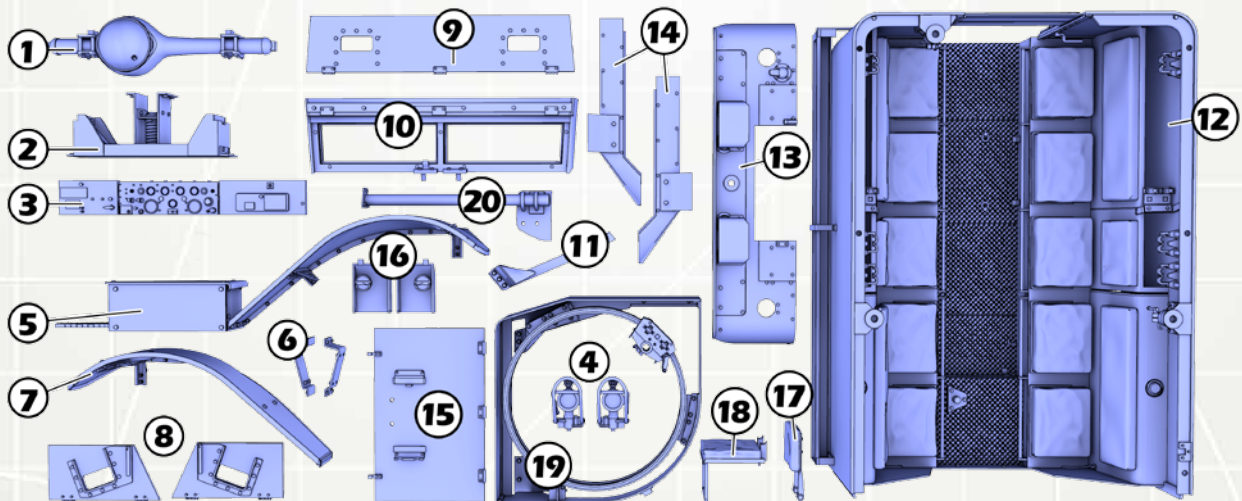
3D printing of this conversion set was done with a special supportmaterial. Due to the production method a residue can be left on the parts. Cleaning them is not difficult but necessary: Remove parts from the frame and clean them thoroughly using a soft brush and water and dishwashing fluid. It is also possible to use a ultrasonic cleaner with water and maybe some dishwashing fluid. Redo cleaning process until water remains clear. A heavier cleaning can be done with alcohol.

Use enamel based paint for the first paint layer. This seals any 3D printing residue that might be left after cleaning. Bend parts can be straightened after emerging in hot water (max 80 degrees). Use superglue to glue parts.

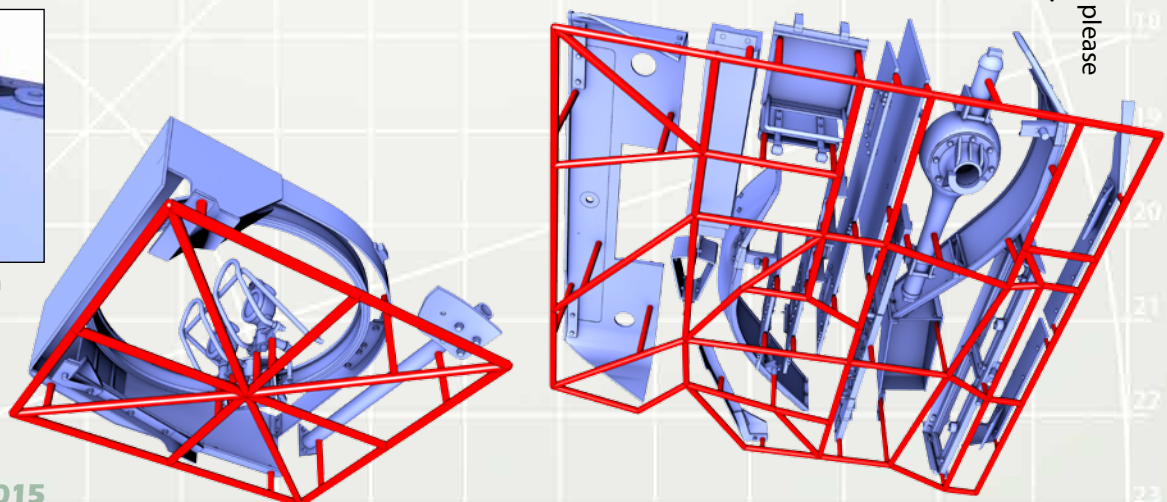
NOTE: discoloration can occur to uncleaned and/or unpainted parts. This will NOT influence the material quality.

## Parts:

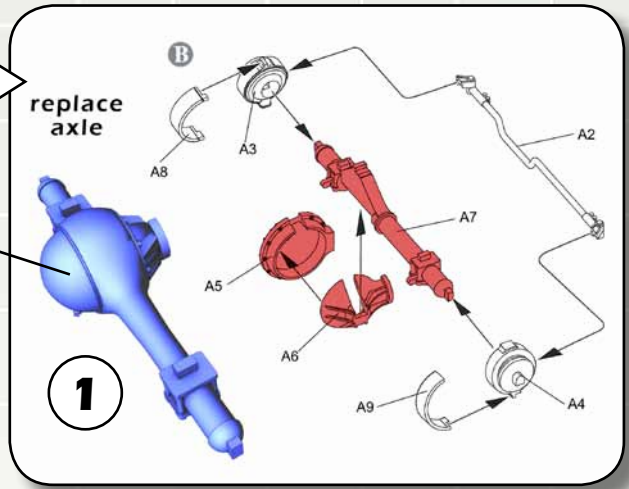
- |                                |                          |                                |                        |
|--------------------------------|--------------------------|--------------------------------|------------------------|
| 1 - Front axle                 | 6 - Jerrycan bracket (2) | 11 - Front window bracket Left | 16 - Taillight box (2) |
| 2 - Chassis extention          | 7 - Left fender          | 12 - Main body                 | 17 - Seat back         |
| 3 - Dashboard                  | 8 - Side armor plate (2) | 13 - Rear bumper               | 18 - Seat cushion      |
| 4 - 'Headlight (2)             | 9 - Front armor plate    | 14 - Doorframe (2)             | 19 - Ringmount         |
| 5 - Right fender + battery box | 10 - Front window        | 15 - Rear door                 | 20 - Ringmount pole    |



Carefully cut of red part with saw or sharp knife.



To remove parts, please cut the red parts.



Throughout this buildplan some parts are colored red. They are parts from the Dragon kit that should be cut off or not to be used.

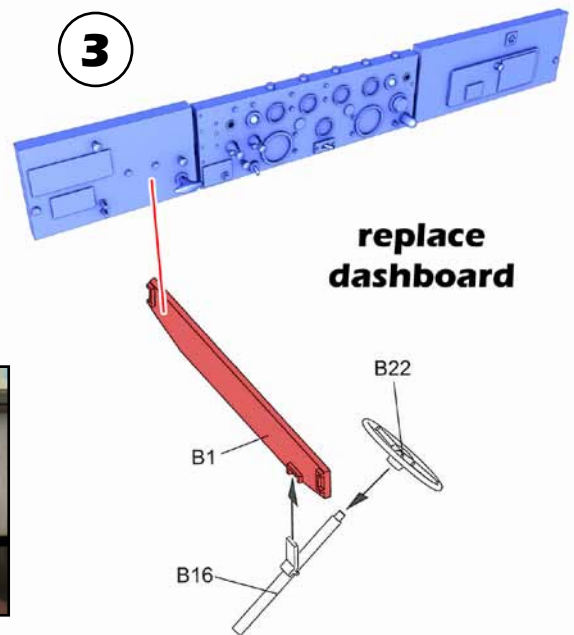
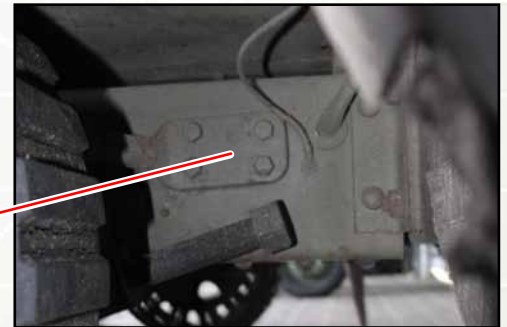
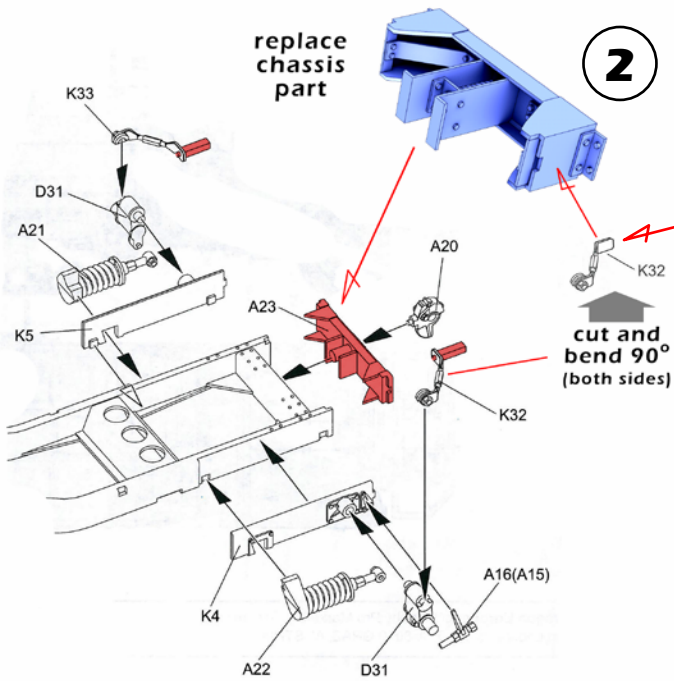


Kitpart A20 has to be rotated 90° when back door is opened.

PARTS ARE FRAGILE, HANDLE WITH CARE



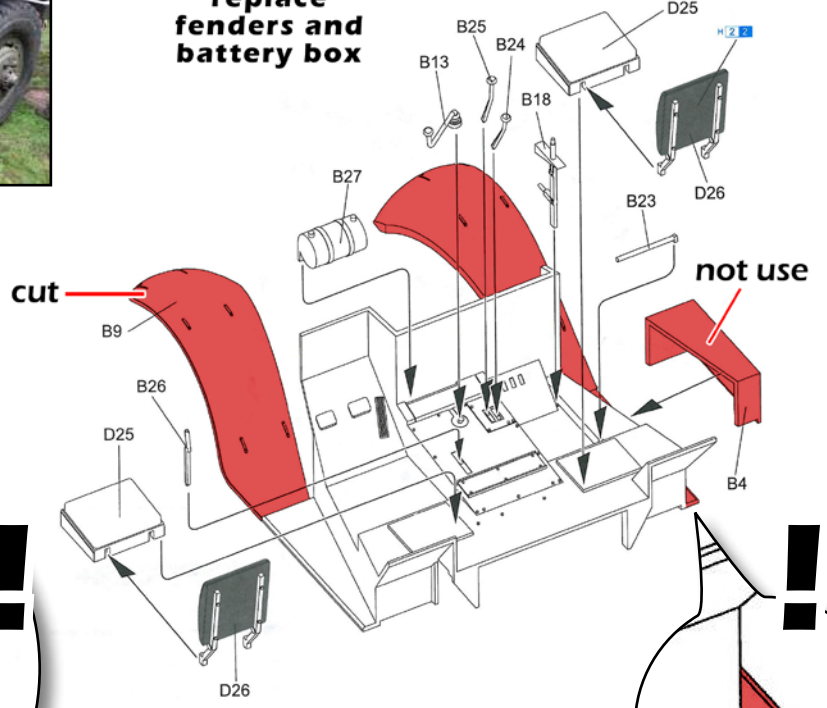
**When using Dragon M2 kit:**



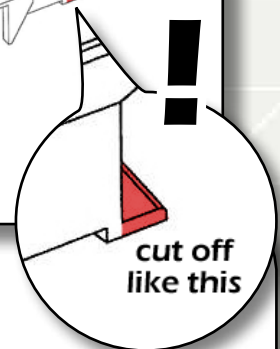
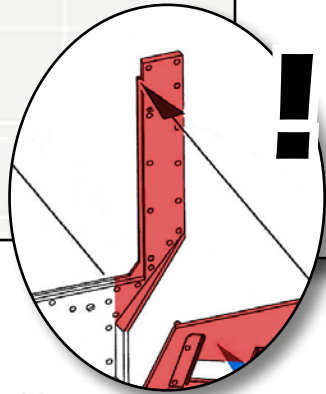




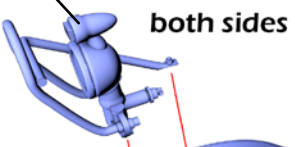
**replace fenders and battery box**



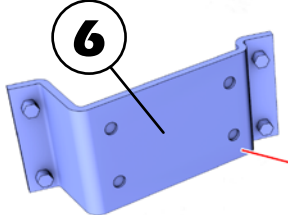
**PARTS ARE FRAGILE, HANDLE WITH CARE**



**4**

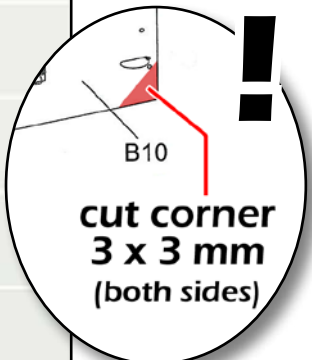
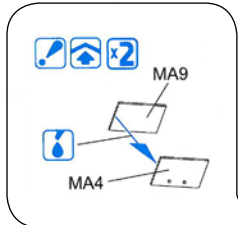


**5**



**6**

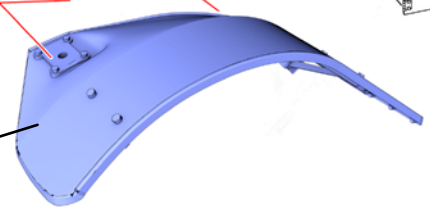
**TIP:**  
attach fenders after completion of the cab. (including front grille)



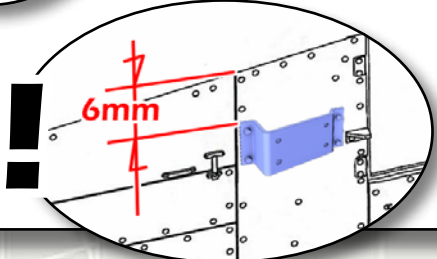
**cut corner 3 x 3 mm (both sides)**

**drill holes for better fit (1mm)**

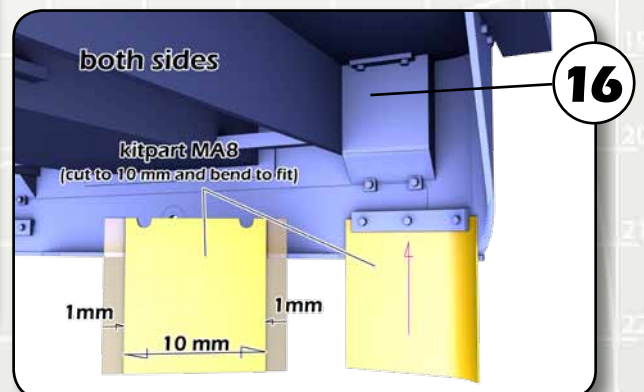
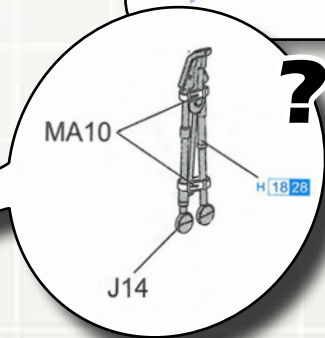
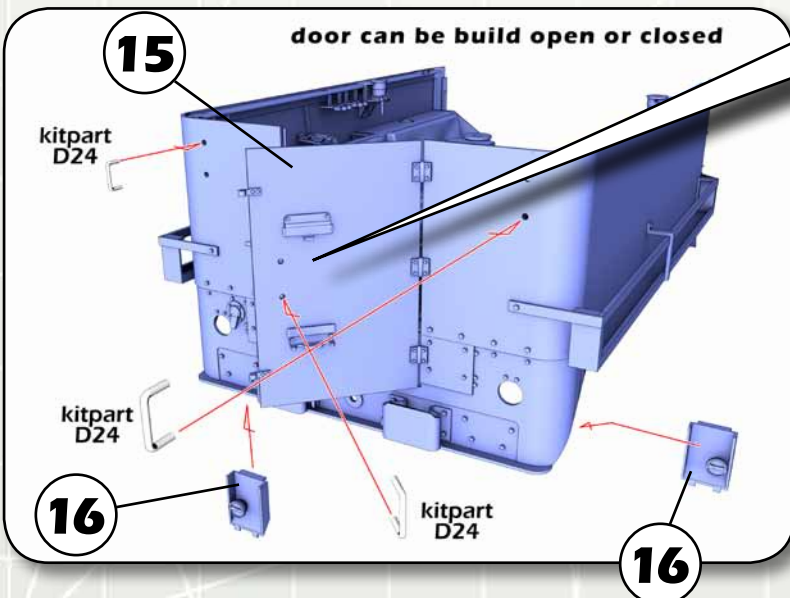
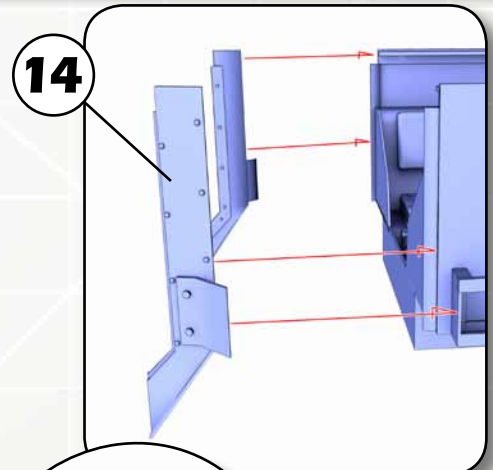
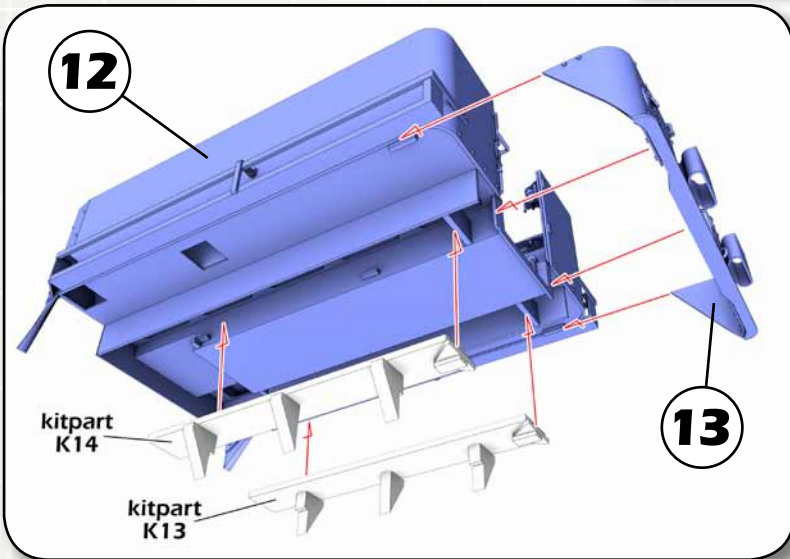
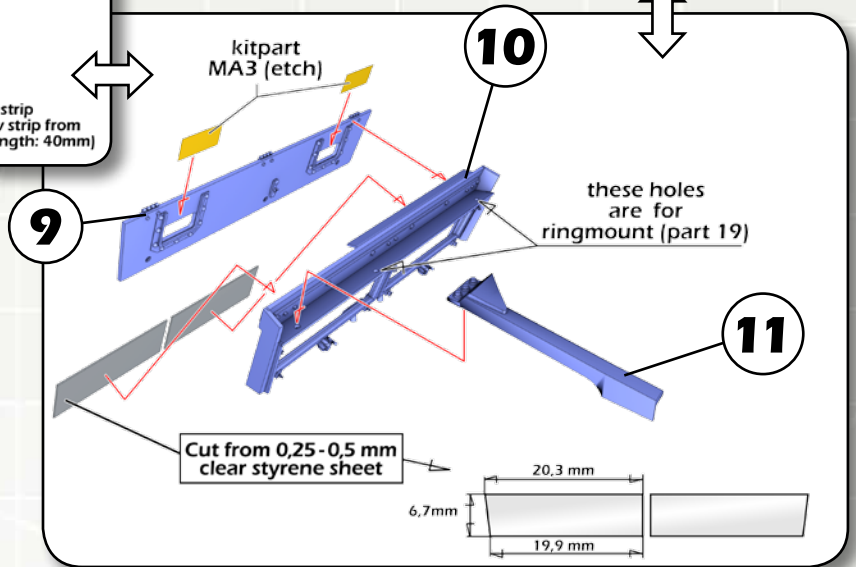
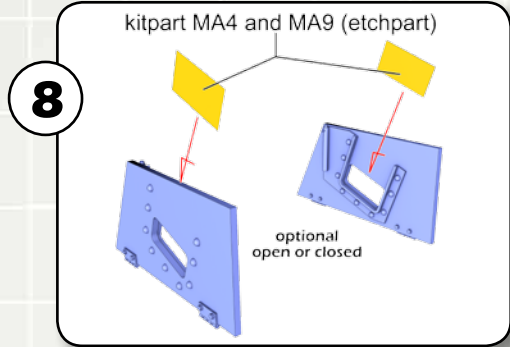
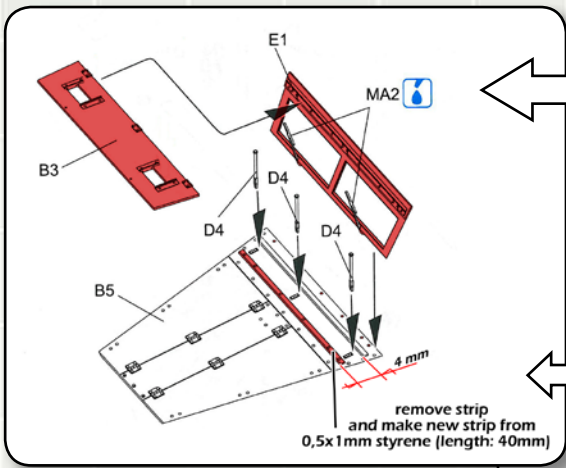
**7**



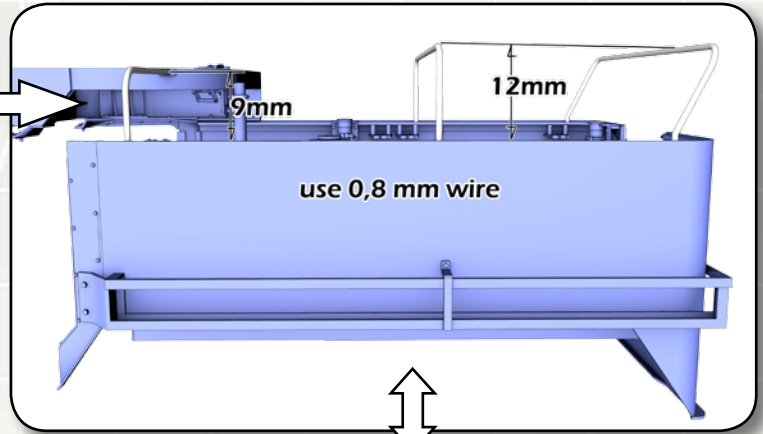
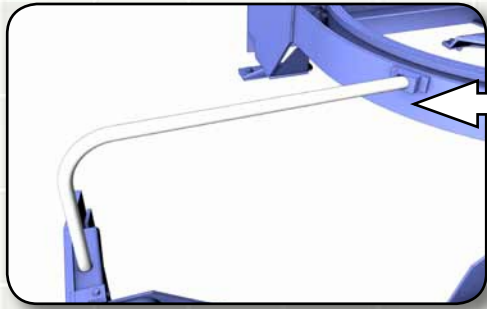
**cut corner 3 x 3 mm (both sides)**



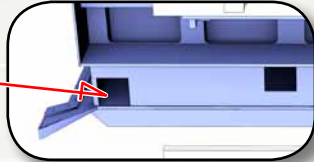
**6mm**





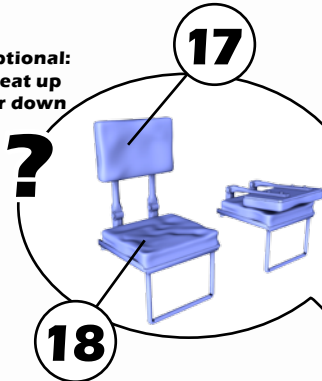


These holes were made to ease production. They can be filled with plasticcard 5 x 5 mm.

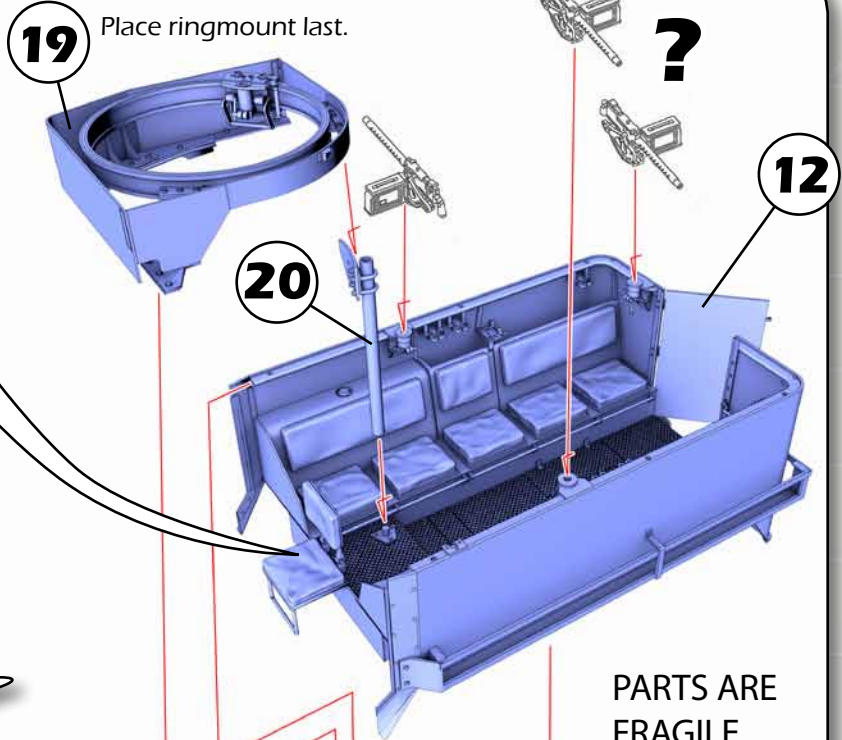


The canvas cover was often used on the M5A1 but many pictures also show the vehicle without canvas. It is possible to build this M5A1 conversion with the canvas poles in place. Here are the measurements for these poles.

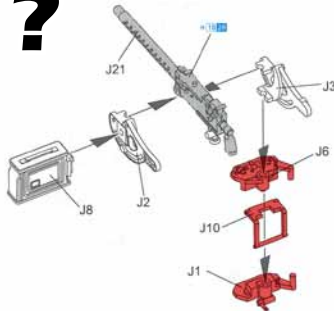
optional:  
seat up  
or down



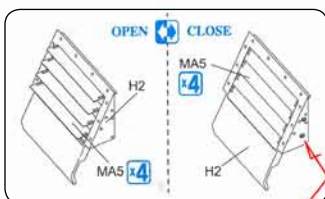
19 Place ringmount last.



PARTS ARE FRAGILE,  
HANDLE WITH CARE



Add extra seat and cabine doors after front section and cargo compartment are placed on chassis.



Drill hole for better fit (1mm)

replacement parts front section

